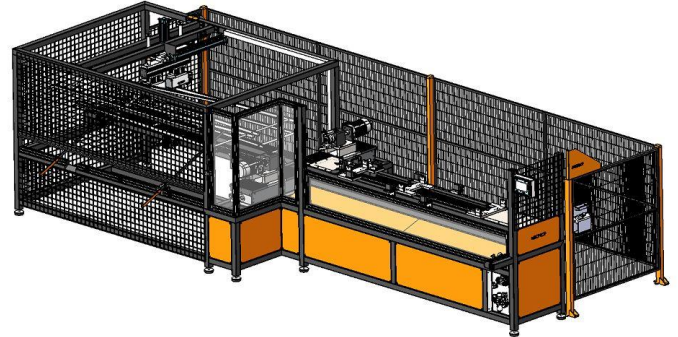


# MRD\_S – Servo-motorized riveting machine

## Description

This machine performs the operation of riveting the steps on stepladders. The width of the rear can be adjusted according to the product. Servo motors ensure opening and advancement of the rear for riveting of the tubes. A pick and place system is used to remove the rear when ready.

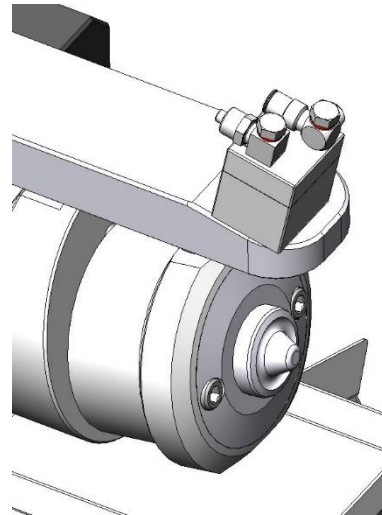


## Benefits

- Reduced cycle time
- Increased Productivity
- High production quality
- Flexibility
- Without hydraulic equipment

## Characteristics

- Riveting simultaneously on both sides
- Automatic width adjustment by servomotor
- Servo-motor to advance between tubes
- Adjustable widths in touch console.
- Pick and place to remove rear when ready



## Technical data

- Profile section: To be defined
- Type of step:  
Customizable dimensions on request
- Cycle Time: 8 seconds per tube
- Power : 3 Kw
- Voltage: 400/230 V, Three-Phase, 50/60Hz

