

Descrição

This machine executes the riveting of the steps of the stepladders and ladders. The length of the stepladder can be adjusted according to the client product.

Tem 2 opções de trabalho, para escadas paralelas e não paralelas. No último caso a máquina aumenta a largura (através de servomotor) automaticamente para permitir o processamento completo de escadas não paralelas.

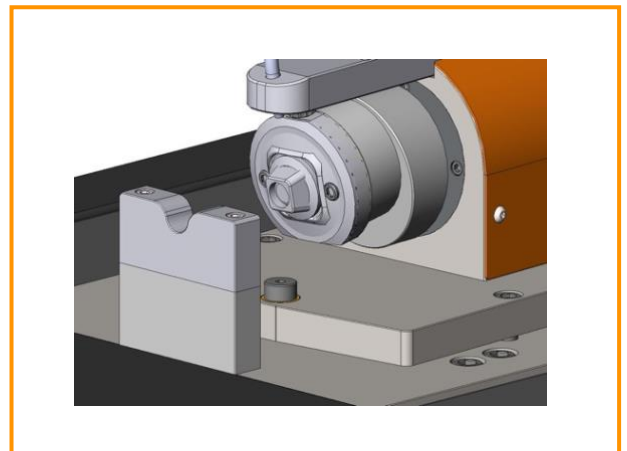


Benefits

- Reduced cycle time
- Increase of productivity
- High quality production
- Flexibility

Characteristics

- Riveting of both sides simultaneously
- Riveting heads for different types
- Parallel or non-parallel ladders adjustable
- Automatic adjustment by servo engine
- Touch console for measurement input



Technical data

- Profile section: To be defined
- Type of step:
 - Square or round
 - : Dimensions according to client product
- Cycle time: 5 s by step
- Power: 10 kW
- Tension: 400/220 V, Three phase, 50/60 Hz
- Hydraulic unit (integrated): 160 Bar

